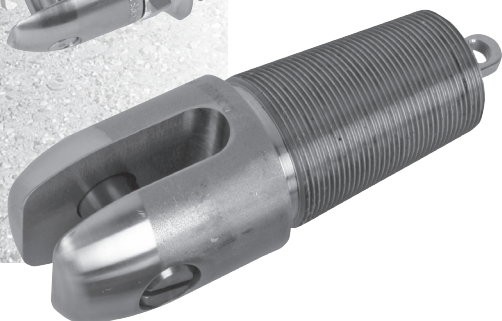
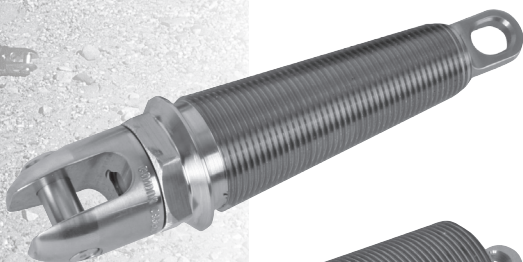
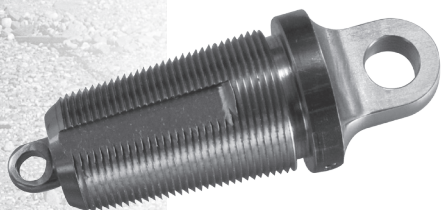


Innerduct Pulling Eyes



**ISO 9001:2008
CERTIFIED**

Installation Procedure

1. Select the proper size Pulling Eye from the following tables.
2. Tie the pull tape or line, if available, to the rear attachment point before inserting the Pulling Eye into the innerduct.
3. Insert the Pulling Eye into the innerduct and hand-tighten it. Ensure that the innerduct's inner diameter (I.D.) lies between the Pulling Eyes range based on the tables above.
4. Once size is verified, tighten the Pulling Eye until its shoulder contacts the innerduct or the innerduct begins to expand. Do not over tighten. Use any of these tools:
Fixed Head: Tool (P/N 08913335), screwdriver shaft, metal shaft
Clevis Head: Screwdriver shaft or metal rod
Swivel Head: 1-3/8" wrench or deep socket; adjustable wrench
5. Removal of the eye is opposite of the installation procedure.
6. When properly installed, all Condux Innerduct Pulling Eyes will greatly exceed the maximum pulling tensions recommended by the innerduct manufacturer.



!WARNING: Read and understand all procedure and safety instructions before using any Condux® Innerduct Pulling Eye. Failure to do so may result in personal injury or property damage. Save this user's guide for future reference.



!ADVERTENCIA: Favor de leer y comprender todas las instrucciones de operación y seguridad antes de usar el Condux® Innerduct Pulling Eye. Si Ud. no comprende las instrucciones favor de consultarle a su jefe.



!CAUTION: Wear personal protective equipment: hard hat, safety glasses, safety shoes, and leather work gloves. Failure to do this could result in personal injury



Do not over tighten the Pulling Eye in the Innerduct. The innerduct could crack and the Pulling Eye will not hold. Personal injury or property damage could result.

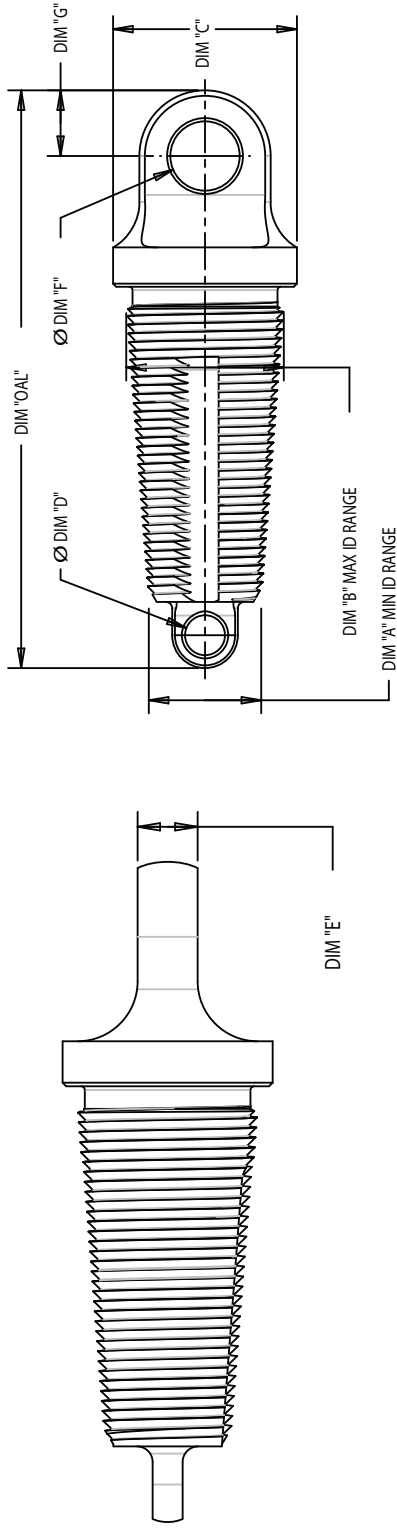


Use the correct Pulling Eye for the size of innerduct being pulled. Personal injury or property damage could result.



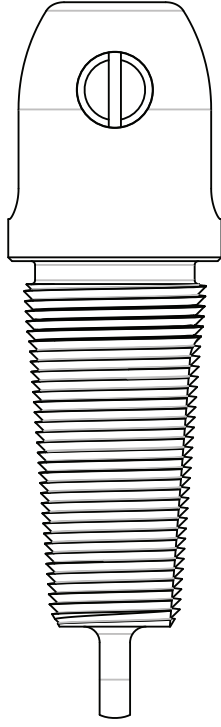
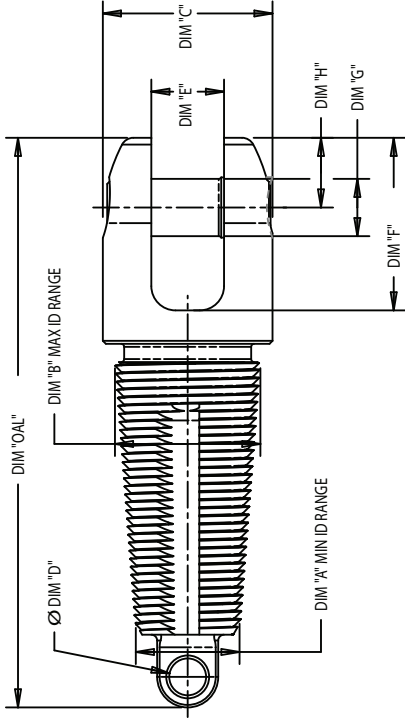
Use a Condux Swivel with the Innerduct Pulling Eyes. During the pull, the innerduct pulling eye could unscrew itself from the innerduct. Personal injury or property damage could result.

Fixed Head Innerduct Pulling Eye Table



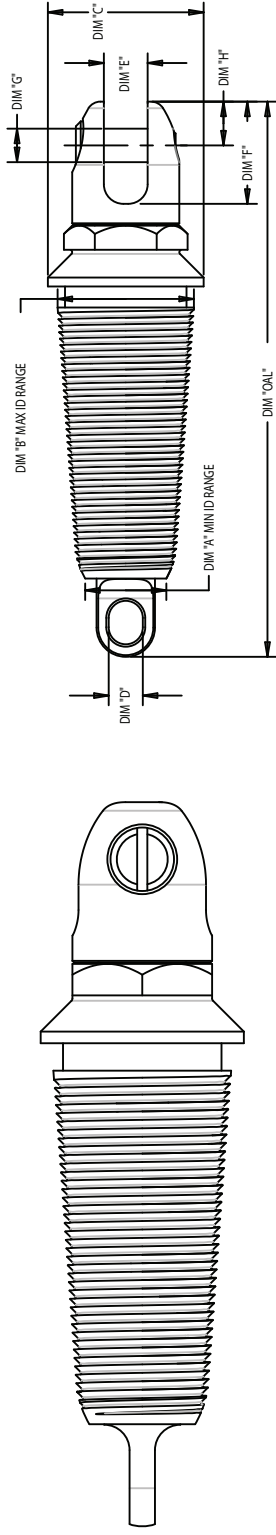
Fixed Head Innerduct Eye Part Number	Nominal Size		Innerduct I.D. Range		Max O.D. DIM "C"		Hole Dia. DIM "D"		Tang Thickness DIM "E"		Tang Hole Diameter DIM "F"		Tang Hole Location DIM "G"		DIM "OAL"	
	(in)	(mm)	A-B (in)	A-B (mm)	(in)	(mm)	(in)	(mm)	(in)	(mm)	(in)	(mm)	(in)	(mm)	(in)	(mm)
08914110	¾	19	0.71 - 0.87	18-22	1.25	32	0.25	6	0.38	10	0.50	13	0.50	13	5.25	133
08914120	1	25	0.93 - 1.06	24-27	1.38	35	0.25	6	0.38	10	0.50	13	0.50	13	5.25	133
08914130	1¼	32	1.06 - 1.43	27-37	1.75	44	0.38	10	0.50	13	0.66	17	0.63	16	5.50	140
08914140	1½	38	1.37 - 1.68	35-43	2.00	51	0.38	10	0.50	13	0.66	17	0.63	16	5.50	140
08914150	1¾	44	1.68 - 1.81	43-46	2.25	57	0.38	10	0.50	13	0.66	17	0.75	19	5.75	146
08914160	2	51	1.93 - 2.12	49-54	2.50	64	0.38	10	0.50	13	0.81	21	0.75	19	5.75	146

Clevis Head Innerduct Pulling Eye Table



Clevis Head Part Number	Nominal Size		Innerduct I.D. Range		Max O.D. DIM "C"		Hole Dia. DIM "D"		Slot Width DIM "E"		Slot Depth DIM "F"		Pin Dia. DIM "G"		Pin Center DIM "H"		DIM "OAL"		Replacement Pin Part Number
	(in)	(mm)	A-B (in)	A-B (mm)	(in)	(mm)	(in)	(mm)	(in)	(mm)	(in)	(mm)	(in)	(mm)	(in)	(mm)	(in)	(mm)	
08914310	¾	19	0.71 - 0.87	18-22	1.25	32	0.25	6	0.56	14	1.34	34	0.38	10	0.59	15	5.31	135	08081046
08914320	1	25	0.93 - 1.06	24-27	1.38	35	0.25	6	0.56	14	1.34	34	0.44	11	0.56	14	5.31	135	08081036
08914330	1¼	32	1.06 - 1.43	27-37	1.75	44	0.38	10	0.75	19	1.78	45	0.63	16	0.72	18	5.88	149	08210135
08914340	1½	38	1.37 - 1.68	35-43	2.00	51	0.38	10	0.75	19	1.78	45	0.63	16	0.72	18	5.88	149	08081016
08914350	1¾	44	1.68 - 1.81	43-46	2.25	57	0.38	10	0.75	19	1.78	45	0.63	16	0.72	18	5.88	149	08081016
08914360	2	51	1.93 - 2.12	49-54	2.50	64	0.38	10	0.75	19	2.50	64	0.88	22	1.23	31	6.75	171	08081006

Swivel Head Innerduct Pulling Eye Table



Swivel Head Part Number	Nominal Size		Innerduct I.D. Range		Max O.D. DIM "C"		Hole Dia. DIM "D"		Slot Width DIM "E"		Slot Depth DIM "F"		Pin Dia. DIM "G"		Pin Center DIM "H"		DIM "OAL"		Replacement Pin Part Number
	(in)	(mm)	A-B (in)	A-B (mm)	(in)	(mm)	(in)	(mm)	(in)	(mm)	(in)	(mm)	(in)	(mm)	(in)	(mm)	(in)	(mm)	
08960712	1 - 1¼	25-32	1.06 - 1.43	27-36	1.75	44	0.44	11	0.56	14	1.31	33	0.44	11	0.56	14	7.13	181	08081036
08960715	1½	38	1.37 - 1.68	35-43	2.00	51	0.44	11	0.56	14	1.31	33	0.44	11	0.56	14	7.13	181	08081036
08960720	2	51	1.93 - 2.12	49-54	2.44	62	0.44	11	0.56	14	1.31	33	0.44	11	0.56	14	7.13	181	08081036

Notes

Limited Warranty

Condux International, Inc. extends the following warranty to the original purchaser of these goods for use, subject to the qualifications indicated:

Condux International, Incorporated warrants to the original purchaser for use that the goods or any component thereof manufactured by Condux International will be free from defects in workmanship for a period of one year from the date of purchase, provided such goods are installed, maintained, and used in accordance with Condux's written instructions.

Components not manufactured by Condux International but used within the assembly provided by Condux International are subject to the warranty period as specified by the individual manufacturer of said component, provided such goods are installed, maintained, and used in accordance with Condux's and the original manufacturer's written instructions.

Condux's sole liability and the purchaser's sole remedy for a failure of goods under this limited warranty, and for any and all claims arising out of the purchase and use of the goods, shall be limited to the repair or replacement of the goods that do not conform to this warranty.

To obtain repair or replacement service under the limited warranty, the purchaser must contact the factory for a Return Material Authorization (RMA). Once obtained, send the RMA along with the defective part or goods, transportation prepaid, to:

Condux International, Inc.
145 Kingswood Drive
Mankato, MN 56002

THERE ARE NO EXPRESS WARRANTIES COVERING THESE GOODS OTHER THAN AS SET FORTH ABOVE. THE IMPLIED WARRANTIES OR MERCHANTABILITY AND FITNESS FOR A PARTICULAR PURPOSE ARE LIMITED IN DURATION TO ONE YEAR FROM DATE OF PURCHASE.

CONDUX ASSUMES NO LIABILITY IN CONNECTION WITH THE INSTALLATION OR USE OF THIS PRODUCT, EXCEPT AS STATED IN THIS LIMITED WARRANTY. CONDUX WILL IN NO EVENT BE LIABLE FOR INCIDENTAL OR CONSEQUENTIAL DAMAGES.



ISO 9001:2008
CERTIFIED

Condux International, Inc.

145 Kingswood Drive • Mankato, MN 56002-0247

1-507-387-6576 • 1-800-533-2077 • FAX 1-507-387-1442

Internet: www.condux.com

© Copyright 2009, Condux International, Inc.

Printed in USA

Literature Part Number: 08914199

Revision Number: 1.1