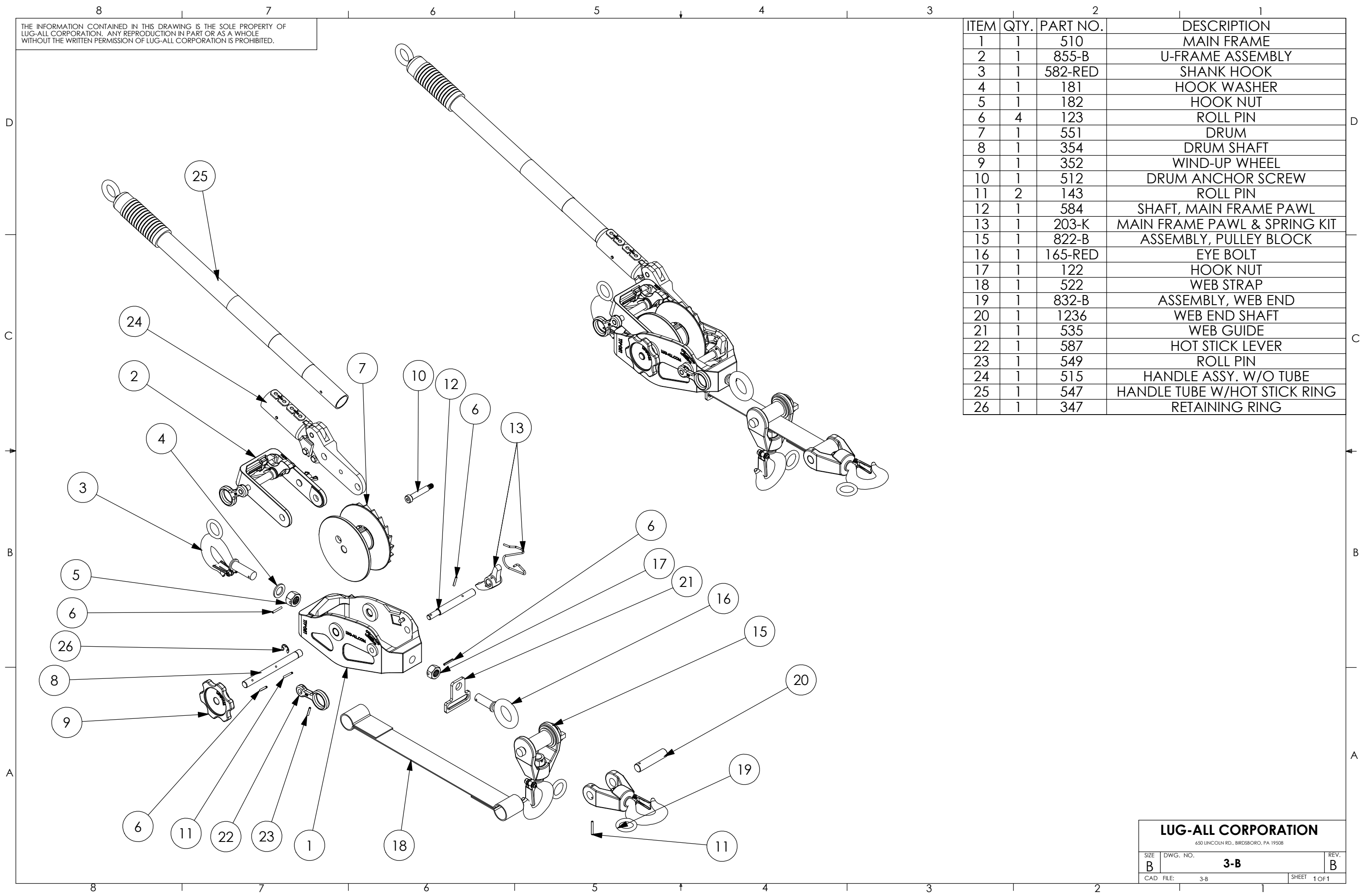


THE INFORMATION CONTAINED IN THIS DRAWING IS THE SOLE PROPERTY OF LUG-ALL CORPORATION. ANY REPRODUCTION IN PART OR AS A WHOLE WITHOUT THE WRITTEN PERMISSION OF LUG-ALL CORPORATION IS PROHIBITED.



ITEM	QTY.	PART NO.	DESCRIPTION
1	1	510	MAIN FRAME
2	1	855-B	U-FRAME ASSEMBLY
3	1	582-RED	SHANK HOOK
4	1	181	HOOK WASHER
5	1	182	HOOK NUT
6	4	123	ROLL PIN
7	1	551	DRUM
8	1	354	DRUM SHAFT
9	1	352	WIND-UP WHEEL
10	1	512	DRUM ANCHOR SCREW
11	2	143	ROLL PIN
12	1	584	SHAFT, MAIN FRAME PAWL
13	1	203-K	MAIN FRAME PAWL & SPRING KIT
15	1	822-B	ASSEMBLY, PULLEY BLOCK
16	1	165-RED	EYE BOLT
17	1	122	HOOK NUT
18	1	522	WEB STRAP
19	1	832-B	ASSEMBLY, WEB END
20	1	1236	WEB END SHAFT
21	1	535	WEB GUIDE
22	1	587	HOT STICK LEVER
23	1	549	ROLL PIN
24	1	515	HANDLE ASSY. W/O TUBE
25	1	547	HANDLE TUBE W/HOT STICK RING
26	1	347	RETAINING RING

LUG-ALL CORPORATION
 650 LINCOLN RD., BIRDSBORO, PA 19508

SIZE B	DWG. NO. 3-B	REV. B
CAD FILE: 3-B	SHEET 1 OF 1	