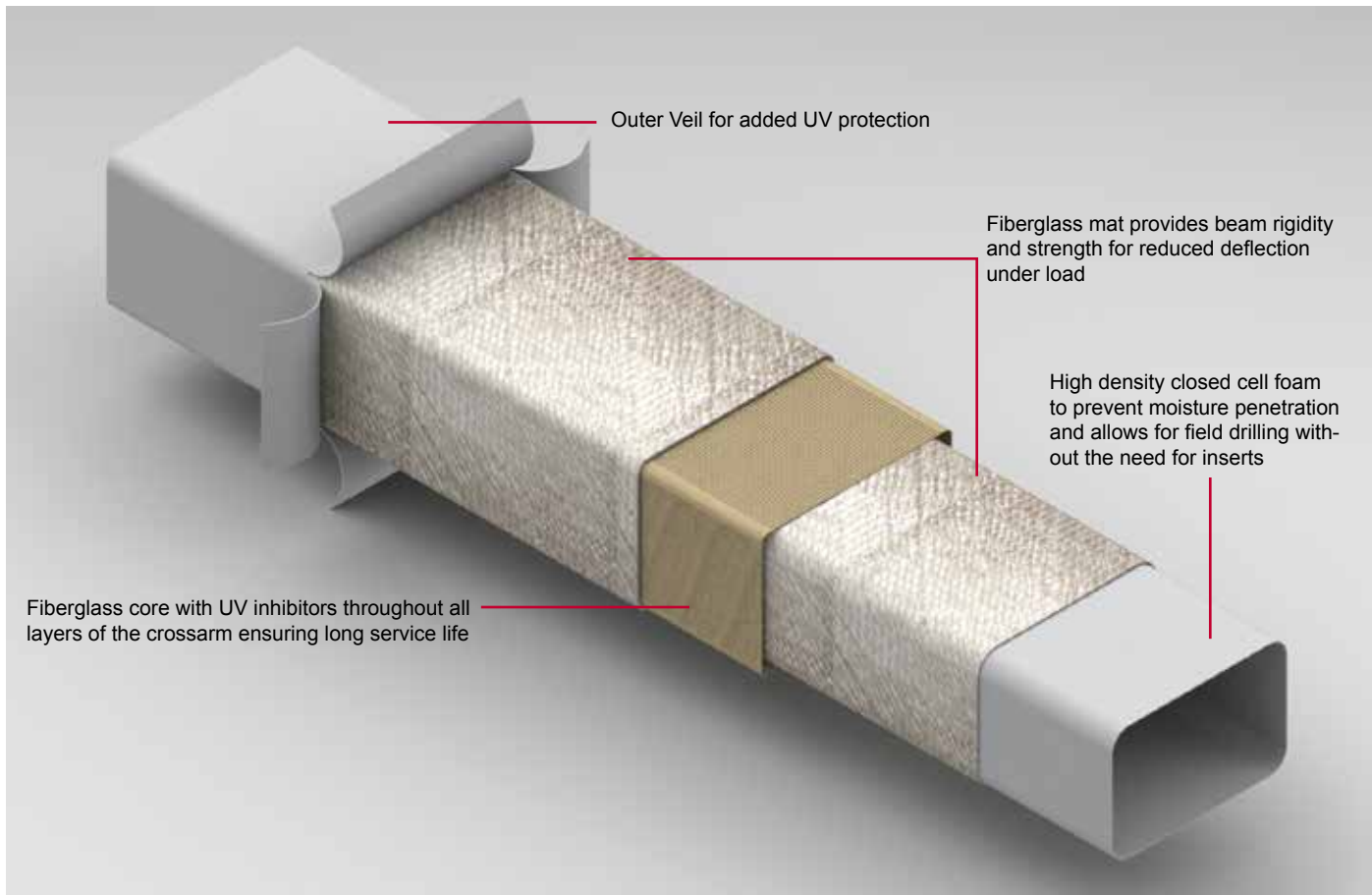




Utility Crossarms and Braces

macleanpower.com





Features and Benefits

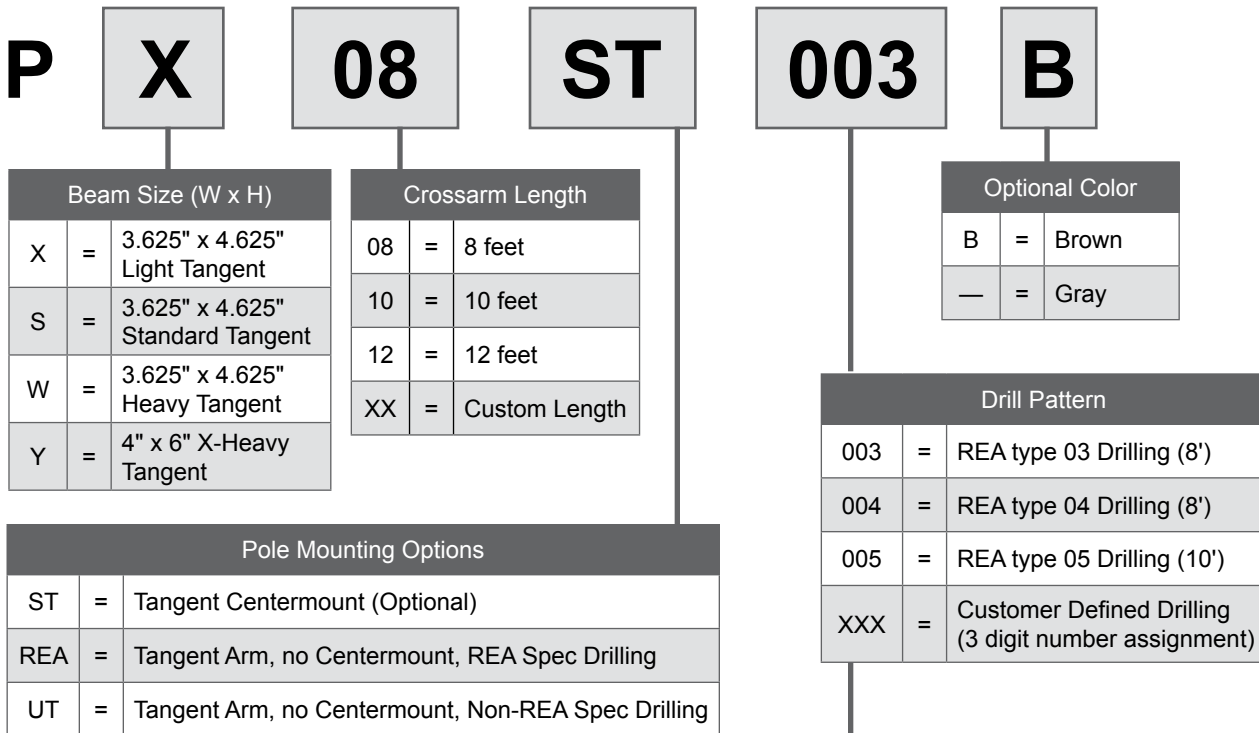
- UV stabilized pultruded fiberglass beam
- Extensive use of woven and straight fibers for increased strength and reduced deflection
- High density, closed cell, expandable foam core
- Environmentally friendly - no chemicals or preservatives
- Deadends use an MPS exclusive curved washer to reduce arm stress
- Compatible installation with saddle pins on tangent crossarms
- Alternative and superior product to wooden crossarms without the additional costs of chemical treatments and disposal health concerns
- Field drillable design - available in std. REA or custom drill
- Lighter than wood with consistent material properties
- Improves overall system insulation and integrity
- Shipped ready to be installed with no assembly required
- RUS listed
- Assembled in the U.S.A.

MPS Advantages

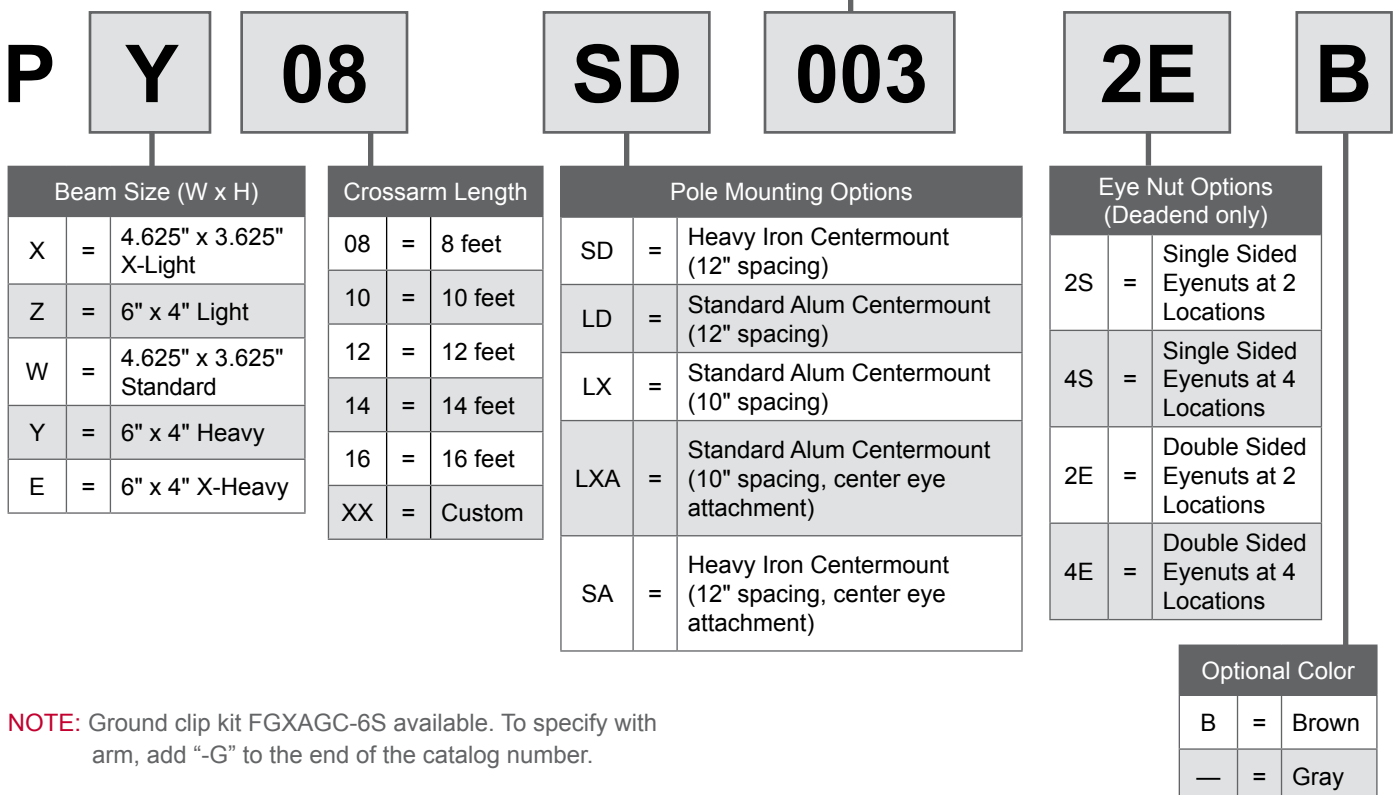
- Over 30 years of fiberglass pultrusion experience
- High quality products that meet or beat industry standards
- 10 US manufacturing plants
- Dedicated technical and customer service experts
- Customized application support
- Vertically integrated for quick response to storm and customer emergencies
- Locations throughout the world
- MPS offers a wide variety of products
 - Aluminum Mounts
 - Fiberglass Products
 - Anchoring Systems
 - Formed Wire
 - Conductor Hardware
 - Grounding and Tools
 - Connectors
 - Insulator Systems
 - Cutouts
 - Pole Line Hardware
 - Enclosures and Pads
 - Surge Arresters
 - Telecommunications Hardware



Tangent Catalog Numbering System



Deadend Catalog Numbering System



Tangent Crossarms

Light and Standard Duty



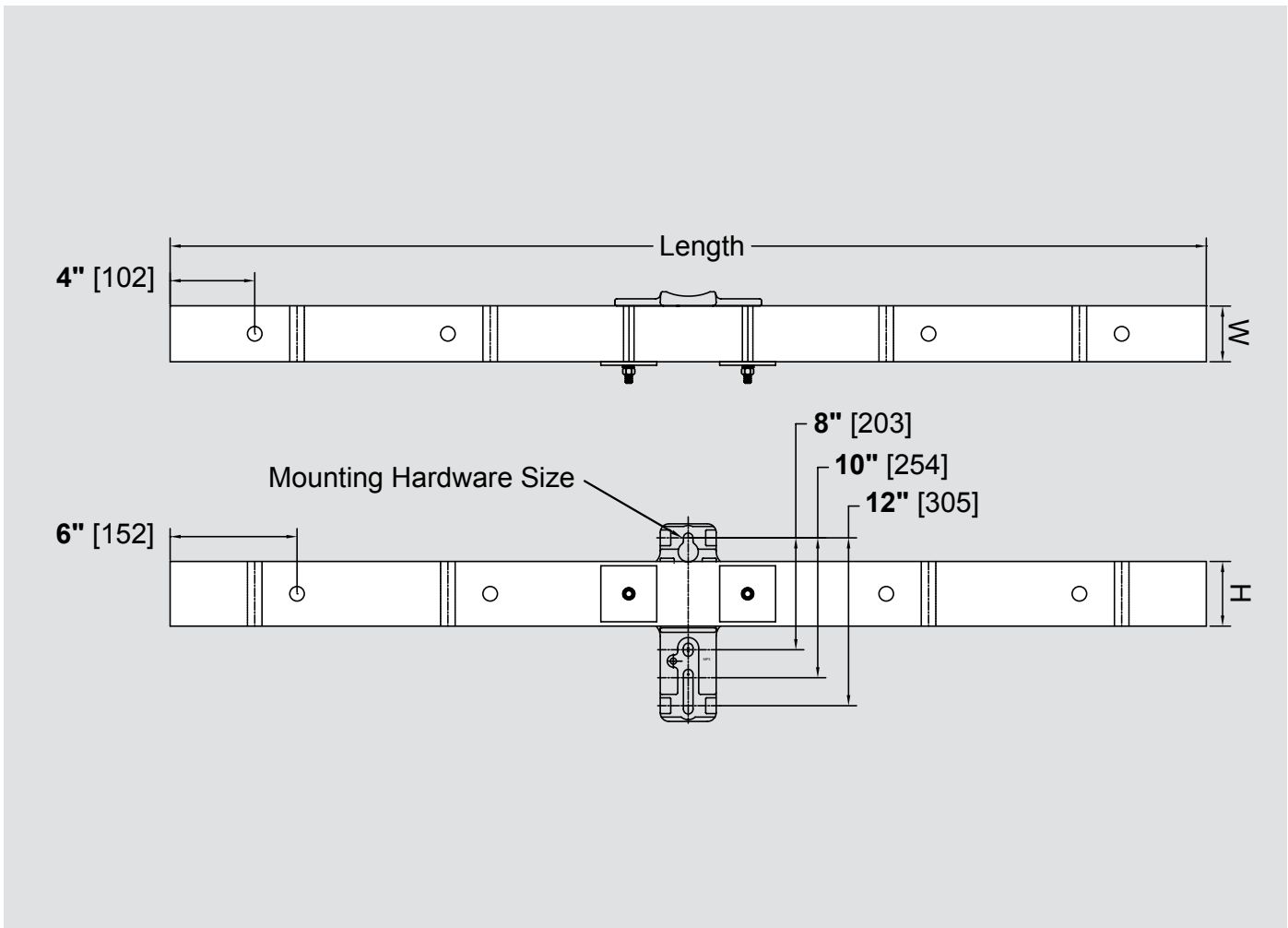
Specifications

- UV Stabilized Fiberglass Beam with UV Protective Veil
- Bandable
- Keyhole Slot
- 8"-12" Pole Mounting
- Cast Aluminum Base
- Available in Gray or Brown
- RUS listed

General Specifications

Series	Mounting Spacing	Mounting Hardware Size	Beam Size (W x H)	Base Material
PX	8" - 12"	5/8"	3.625" x 4.625"	Aluminum
PS	8" - 12"	3/4"	3.625" x 4.625"	Aluminum

Dimensions





Light Duty Tangent Crossarms Series PX

Braced Tangent Crossarms

Catalog Number	Length in Feet**	Ultimate Load Per Side in Pounds	Deflection in Inches Per 1000 Pounds	Load Per Position	Weight in Pounds	Beam Size W x H
PX08REA003*	8	2000	1.52	—	26	3-5/8" x 4-5/8"
PX08REA004*	8	2000	1.52	—	26	3-5/8" x 4-5/8"
PX10REA005*	10	1500	2.20	—	33	3-5/8" x 4-5/8"

Braces not provided

Catalog Number	Length in Feet**	Ultimate Load Per Side in Pounds	Deflection in Inches Per 1000 Pounds	Load Per Position	Weight in Pounds	Beam Size W x H
PX08ST003*	8	3200	0.68	2350	34	3-5/8" x 4-5/8"
PX08ST004*	8	3200	0.68	1600	34	3-5/8" x 4-5/8"
PX10ST005*	10	2500	1.28	1250	41	3-5/8" x 4-5/8"

Standard Duty Tangent Crossarms Series PS

Braceless Tangent Crossarms

Catalog Number	Length in Feet**	Ultimate Load Per Side in Pounds	Deflection in Inches Per 1000 Pounds	Load Per Position	Weight in Pounds	Beam Size W x H
PS7.5ST388	7.5	4300	0.53	2950	35	3-5/8" x 4-5/8"
PS08ST003	8	4100	0.60	3050	36	3-5/8" x 4-5/8"
PS08ST004	8	4100	0.60	2000	36	3-5/8" x 4-5/8"
PS9.5ST171	9.5	3300	0.83	2300	41	3-5/8" x 4-5/8"
PS10ST005	10	3200	0.90	1600	42	3-5/8" x 4-5/8"

* RUS Listed

** Standard length shown. For other lengths, consult your MPS representative or customer service.

All numbers published to 95% confidence interval

Tangent Crossarms

Heavy and Extra Heavy Duty



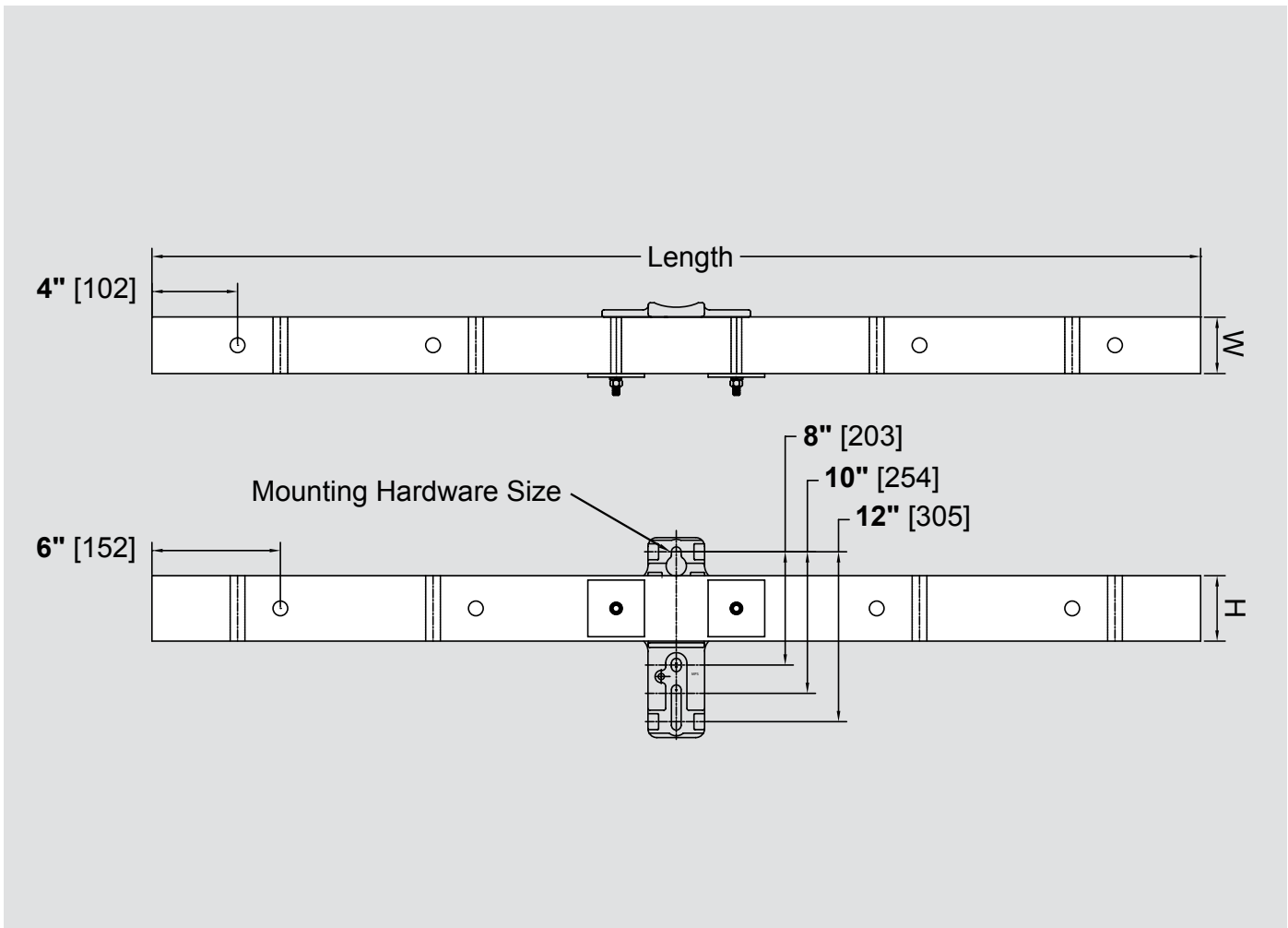
Specifications

- UV Stabilized Fiberglass Beam with UV Protective Veil
- Bandable
- Keyhole Slot
- 8"-12" Pole Mounting
- Cast Aluminum Base
- Available in Gray or Brown
- RUS listed

General Specifications

Series	Mounting Spacing	Mounting Hardware Size	Beam Size (W x H)	Base Material
PW	8" - 12"	3/4"	3.625" x 4.625"	Aluminum
PY	10" - 12"	3/4"	4" x 6"	Aluminum

Dimensions





Heavy Duty Tangent Crossarms Series PW

Braced Tangent Crossarms

Catalog Number	Length in Feet**	Ultimate Load Per Side in Pounds	Deflection in Inches Per 1000 Pounds	Load Per Position	Weight in Pounds	Beam Size W x H
PW08REA003*	8	4000	0.75	—	35	3-5/8" x 4-5/8"
PW08REA004*	8	4000	0.75	—	35	3-5/8" x 4-5/8"
PW10REA005*	10	3100	1.20	—	43	3-5/8" x 4-5/8"

Braces not provided

Braceless Tangent Crossarms

Catalog Number	Length in Feet**	Ultimate Load Per Side in Pounds	Deflection in Inches Per 1000 Pounds	Load Per Position	Weight in Pounds	Beam Size W x H
PW7.5ST388	7.5	7200	0.53	5200	43	3-5/8" x 4-5/8"
PW08ST003*	8	7200	0.60	5400	45	3-5/8" x 4-5/8"
PW08ST004*	8	7200	0.60	3600	45	3-5/8" x 4-5/8"
PW9.5ST171	9.5	5900	0.83	4100	51	3-5/8" x 4-5/8"
PW10ST005*	10	5700	0.90	2800	53	3-5/8" x 4-5/8"
PW12ST349	12	4700	1.21	3300	61	3-5/8" x 4-5/8"

Extra Heavy Duty Tangent Crossarms Series PY

Braceless Tangent Crossarms

Catalog Number	Length in Feet**	Ultimate Load Per Side in Pounds	Deflection in Inches Per 1000 Pounds	Load Per Position	Weight in Pounds	Beam Size W x H
PY7.5ST388	7.5	8800	0.17	6050	56	4" x 6"
PY08ST003	8	8400	0.22	6250	59	4" x 6"
PY08ST004	8	8400	0.22	4200	59	4" x 6"
PY9.5ST171	9.5	6850	0.37	4750	68	4" x 6"
PY10ST005	10	6600	0.42	3300	71	4" x 6"
PY12ST349	12	5450	0.58	3800	83	4" x 6"

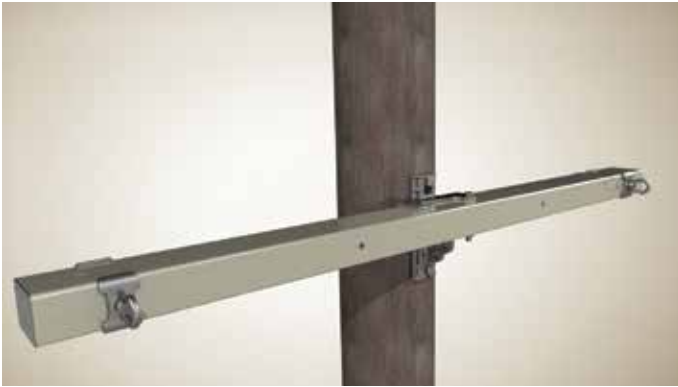
* RUS Listed

** Standard length shown. For other lengths, consult your MPS representative or customer service.

All numbers published to 95% confidence interval

Deadend Crossarms

Extra Light, Light and Standard Duty



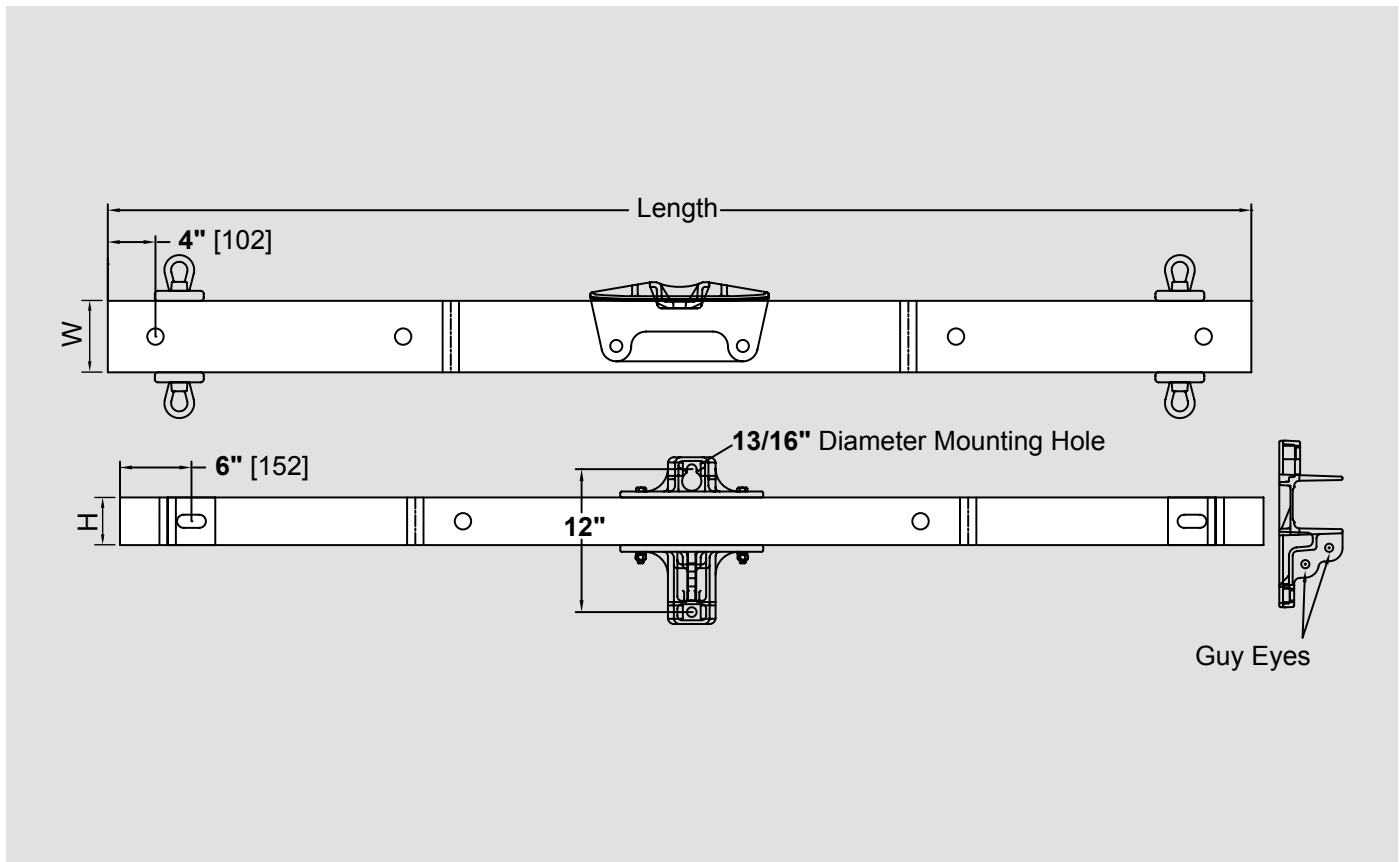
Specifications

- UV Stabilized Fiberglass Beam with UV Protective Veil
- Bandable
- Keyhole Slot
- "Double Nutting" Feature
- Available in Gray or Brown
- Centermount with Cast-in Guy Attachments
- MPS exclusive curved washers
- RUS listed

General Specifications

Series	Mounting Spacing	Mounting Hardware Size	Beam Size (W x H)	Base Material	Extra Eye Kit
PX	10" or 12"	3/4"	4.625" x 3.625"	Aluminum or Iron	SP58-2EYEKIT
PW	10" or 12"	3/4"	4.625" x 3.625"	Aluminum or Iron	SP58-2EYEKIT
PZ	10" or 12"	3/4"	6" x 4"	Aluminum or Iron	LP58-2EYEKIT

Dimensions





Extra Light Duty Deadend Series PX

Beam Size = 4.625" x 3.625"

Catalog Number	Length in Feet**	Ultimate Load Per Side in Pounds***	Ultimate Load Per Position	Deflection in Inches per 1000 Pounds	Guy Hole Rating**** (Dual / Single)	Guy Hole Size	Weight in Pounds
PX05LD573-2E	5	8650	8650	< 0.15	24,000 / 21,000	11/16"	34
PX7.5LX388-2E	7.5	5150	5150	0.53	NA / 21,000	15/16"	42
PX08LD003-2E	8	4950	4950	0.68	24,000 / 21,000	11/16"	44
PX08LD003-4E	8	4950	3500	0.68	24,000 / 21,000	11/16"	53
PX9.5LX171-2E	9.5	3950	3950	1.13	NA / 21,000	15/16"	49
PX10LD005-2E	10	3850	3850	1.28	24,000 / 21,000	11/16"	50
PX10LD005-4E	10	3850	2900	1.28	24,000 / 21,000	11/16"	59

Light Duty Deadend Series PZ

Beam Size = 6" x 4"

Catalog Number	Length in Feet**	Ultimate Load Per Side in Pounds***	Ultimate Load Per Position	Deflection in Inches per 1000 Pounds	Guy Hole Rating**** (Dual / Single)	Guy Hole Size	Weight in Pounds
PZ05LD573-2E	5	9400	9400	< 0.15	24,000 / 21,000	11/16"	44
PZ08LD003-2E*	8	9400	9400	0.24	24,000 / 21,000	11/16"	59
PZ08LD003-4E*	8	9400	6750	0.24	24,000 / 21,000	11/16"	68
PZ10LD005-2E*	10	7350	7350	0.47	24,000 / 21,000	11/16"	69
PZ10LD005-4E*	10	7350	5600	0.47	24,000 / 21,000	11/16"	78

Beam Size = 4.625" x 3.625"

Catalog Number	Length in Feet**	Ultimate Load Per Side in Pounds***	Ultimate Load Per Position	Deflection in Inches per 1000 Pounds	Guy Hole Rating**** (Dual / Single)	Guy Hole Size	Weight in Pounds
PW05LD573-2E	5	10,200	10,200	< 0.15	24,000 / 21,000	11/16"	39
PW7.5LX388-2E	7.5	10,200	10,200	0.27	NA / 21,000	15/16"	50
PW08LD003-2E*	8	10,200	10,200	0.35	24,000 / 21,000	11/16"	52
PW08LD003-4E*	8	10,200	7050	0.35	24,000 / 21,000	11/16"	61
PW9.5LX171-2E	9.5	8300	8300	0.62	NA / 21,000	15/16"	58
PW10LD005-2E*	10	7950	7950	0.70	24,000 / 21,000	11/16"	60
PW10LD005-4E*	10	7950	6050	0.70	24,000 / 21,000	11/16"	69
PW12LD349-2E	12	6500	6500	1.05	24,000 / 21,000	11/16"	68
PW12LD349-4E	12	6500	4600	1.05	24,000 / 21,000	11/16"	77

* RUS Listed

** Standard length shown in feet. For other lengths, consult your MPS representative or customer service

*** Ultimate longitudinal load per side in pounds. Crossarm with "SA", "LXA" or "LA" (Center Phase) attachment used as a single-sided application are limited to an 84% ultimate load

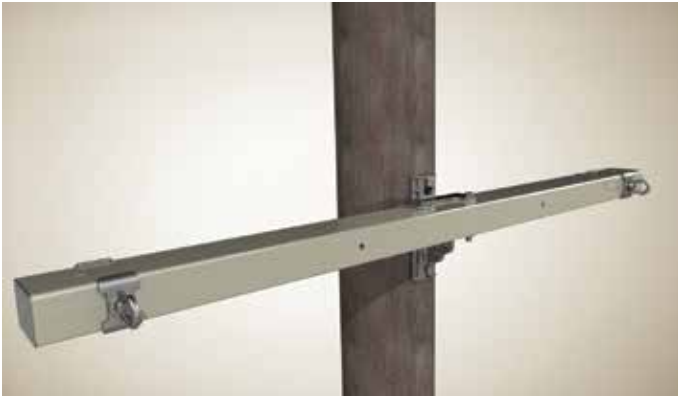
****Guy hole load values stated at 30 degree guy angle in pounds

All numbers published to 95% confidence interval

Note: SM = SD designation per catalog matrix

Deadend Crossarms

Heavy Duty



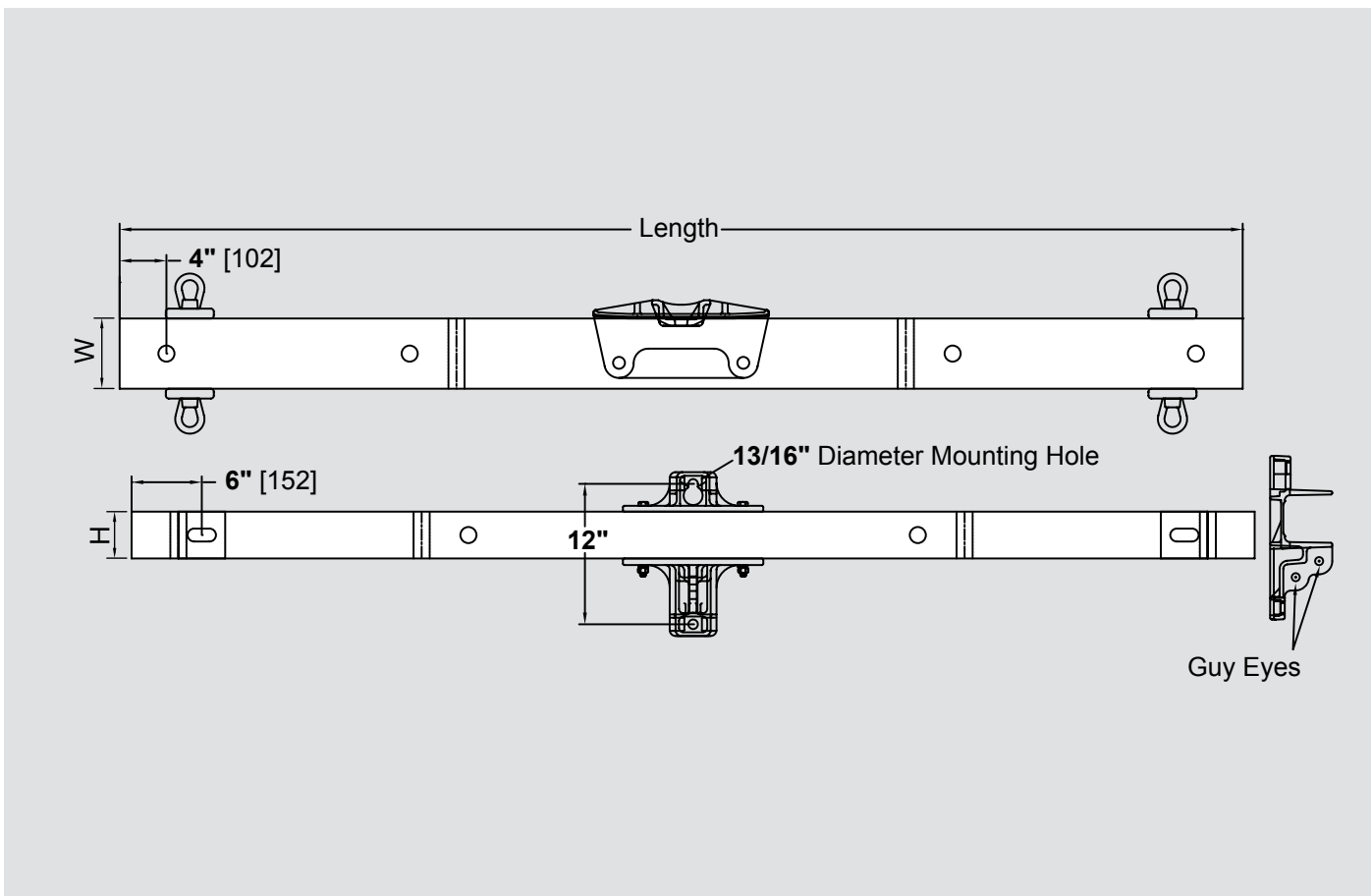
Specifications

- UV Stabilized Fiberglass Beam with UV Protective Veil
- Bandable
- Keyhole Slot
- "Double Nutting" Feature
- Available in Gray or Brown
- Centermount with Cast in Guy Attachment
- MPS exclusive curved washers
- RUS listed

General Specifications

Series	Mounting Spacing	Mounting Hardware Size	Beam Size (W x H)	Base Material	Extra Eye Kit
PY	10" or 12"	3/4"	6" x 4"	Aluminum or Iron	LP58-2EYEKIT
PE	12"	3/4"	6" x 4"	Iron	LPH34-2EYEKIT

Dimensions





Heavy Duty Deadend Series PY

Beam Size = 6" x 4"

Catalog Number	Length in Feet**	Ultimate Load Per Side in Pounds***	Ultimate Load Per Position	Deflection in Inches per 1000 Pounds	Guy Hole Rating****	Guy Hole Size	Weight in Pounds
PY05SD573-2E	5	12,500	12,500	< 0.15	40,000 / 30,000	13/16"	60
PY7.5LX388-2E	7.5	12,500	12,500	0.17	NA / 21,000	15/16"	64
PY08SD003-2E*	8	12,500	12,500	0.22	40,000 / 30,000	13/16"	78
PY08SD003-4E*	8	12,500	10,050	0.22	40,000 / 30,000	13/16"	87
PY10SD005-2E*	10	11,000	11,000	0.42	40,000 / 30,000	13/16"	90
PY10SD005-4E*	10	11,000	8350	0.42	40,000 / 30,000	13/16"	99
PY12SD349-2E	12	9000	9000	0.58	40,000 / 30,000	13/16"	102
PY12SD349-4E	12	9000	6350	0.58	40,000 / 30,000	13/16"	111

All numbers published to 90% confidence interval

Heavy Duty Deadend Series PE

Beam Size = 6" x 4"

Catalog Number	Length in Feet**	Ultimate Load Per Side in Pounds***	Ultimate Load Per Position	Deflection in Inches per 1000 Pounds	Guy Hole Rating****	Guy Hole Size	Weight in Pounds
PE08SD003-2E	8	16,000	16,000	< 0.15	40,000 / 30,000	13/16"	82
PE08SD003-4E	8	16,000	11,400	< 0.15	40,000 / 30,000	13/16"	94
PE10SD005-2E	10	12,500	12,500	0.43	40,000 / 30,000	13/16"	94
PE10SD005-4E	10	12,500	9500	0.43	40,000 / 30,000	13/16"	106
PE12SD349-2E	12	10,200	10,200	0.66	40,000 / 30,000	13/16"	105
PE12SD349-4E	12	10,200	7250	0.66	40,000 / 30,000	13/16"	118
PE14SD484-2E	14	8650	8650	1.14	40,000 / 30,000	13/16"	117
PE14SD484-4E	14	8650	5400	1.14	40,000 / 30,000	13/16"	130

* RUS Listed

** Standard length shown in feet. For other lengths, consult your MPS representative or customer service

*** Ultimate longitudinal load per side in pounds. Crossarm with "SA", "LXA" or "LA" (Center Phase) attachment used as a single-sided application are limited to an 84% ultimate load

****Guy hole load values stated at 30 degree guy angle in pounds

All numbers published to 95% confidence interval

Double Stack Deadend Crossarms

Heavy Duty



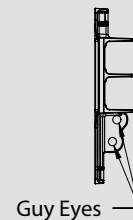
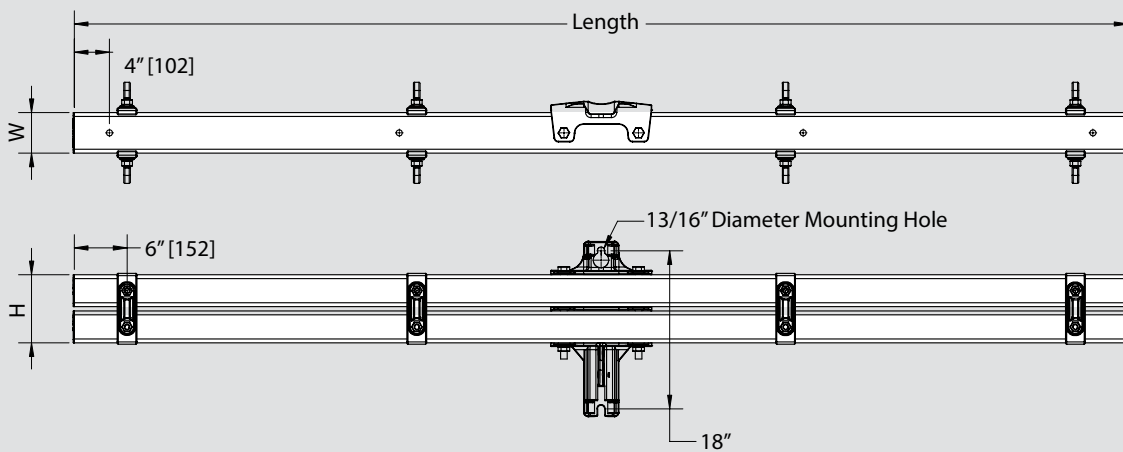
Specifications

- UV Stabilized Fiberglass Beam with UV Protective Veil
- Bandable
- Keyhole Slot
- "Double Nutting" Feature
- Available in Gray or Brown
- Centermount with Cast in Guy Attachment
- MPS exclusive curved washers
- RUS listed

General Specifications

Series	Mounting Spacing	Mounting Hardware Size	Beam Size (W x H)	Base Material	Extra Eye Kit
PW-DS	18"	3/4"	2 x 4.625" x 3.625"	Aluminum	SPDS58-2EYEKIT

Dimensions



Double Stack Deadend Series PW-DS

Beam Size = 2 x 4.625" x 3.625"

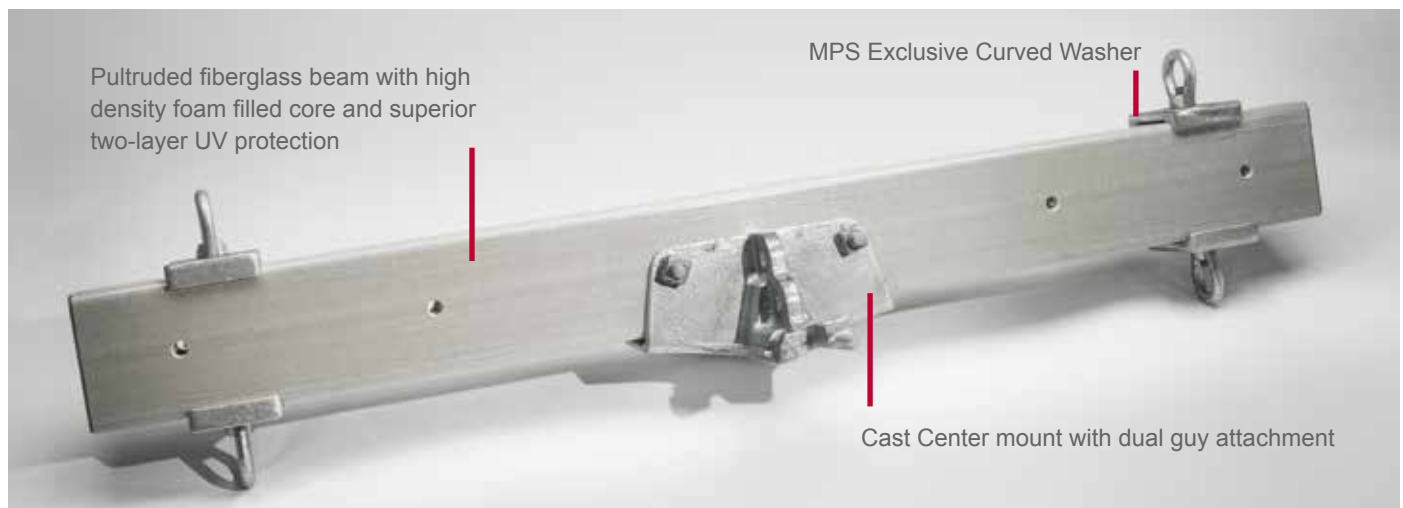
Catalog Number	Length in Feet**	Ultimate Load Per Side Pounds	Ultimate Load Per Position	Deflection in Inches per 1000 Pounds	Guy Hole Rating**** (Dual / Single)	Guy Hole Size	Weight in Pounds
PW08DS003-2E	8	20,400	20,400	0.35	40,000 / 30,000	15/16"	88
PW08DS003-4E	8	20,400	14,100	0.35	40,000 / 30,000	15/16"	95
PW10DS005-2E	10	15,900	15,900	0.70	40,000 / 30,000	15/16"	105
PW10DS005-4E	10	15,900	12,100	0.70	40,000 / 30,000	15/16"	111
PW12DS349-2E	12	13,000	13,000	1.05	40,000 / 30,000	15/16"	122
PW12DS349-4E	12	13,000	9200	1.05	40,000 / 30,000	15/16"	128
PW14DS484-2E	14	11,000	11,000	1.75	40,000 / 30,000	15/16"	138
PW14DS484-4E	14	11,000	6900	1.75	40,000 / 30,000	15/16"	145
PW16DS481-2E	16	9500	9500	2.80	40,000 / 30,000	15/16"	155
PW16DS481-4E	16	9500	5700	2.80	40,000 / 30,000	15/16"	162

** Standard length shown in feet. For other lengths, consult your MPS representative or customer service

****Guy hole load values stated at 30 degree guy angle in pounds

All numbers published to 95% confidence interval

The Fiberglass Advantage



Consider fiberglass crossarms over wood for your next project. Compared to wood, fiberglass crossarms:

- Don't contain potentially harmful chemicals or preservatives
- Don't require special disposal at the end of life
- Won't decay, rot, absorb moisture or splinter
- Are woodpecker and insect repellent
- Are up to 50% lighter and 6X stronger
- Help increase system BIL level
- Install up to 35% faster and have a lower total cost of ownership
- Are a manufactured product with consistent material properties and strength for the life of the product

Steel Crossarms

Steel Arms

Steel crossarms are produced from structural steel angle or tubing for high strength deadend and tangent applications.

Features

- Multiple bolt holes for a variety of conductor attachment points permit assembly of jumper pins and arrester/equipment mounting brackets
- Provided with a center mounting plate for attachment to pole

Material

Steel hot dip galvanized

Steel Crossarm (3" x 5" x 3/8" Angle)				
Catalog Number	L	A	Ult Strength Rating Per Phase (lbs)	Weight Ea (lbs)
D-21140-GA	60	27	5000	59

Notes:

- 1) All holes are 11/16" diameter unless otherwise noted
- 2) Strength ratings based on balanced load applications

Steel Crossarm (3" x 5" x 3/8" Angle)					
Catalog Number	L	A	B	Ult Strength Rating Per Phase (lbs)	Weight Ea (lbs)
D-21143-GA	78	20	32	4000	70

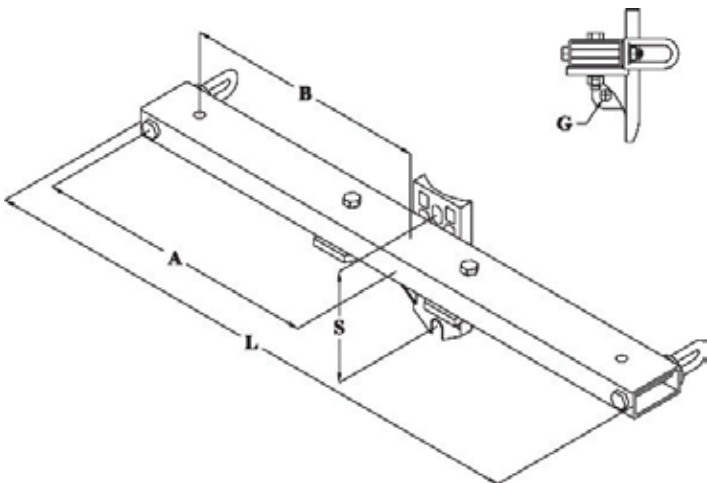
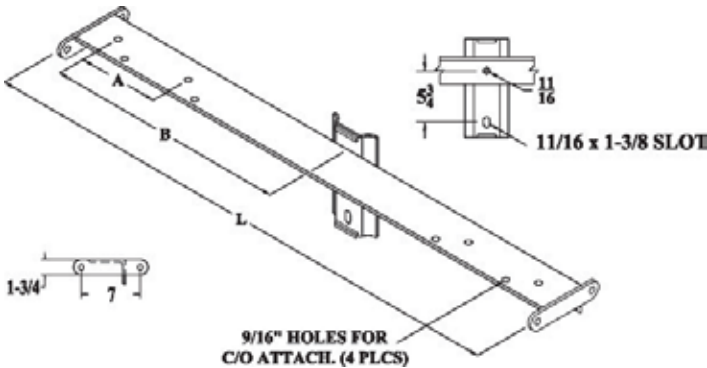
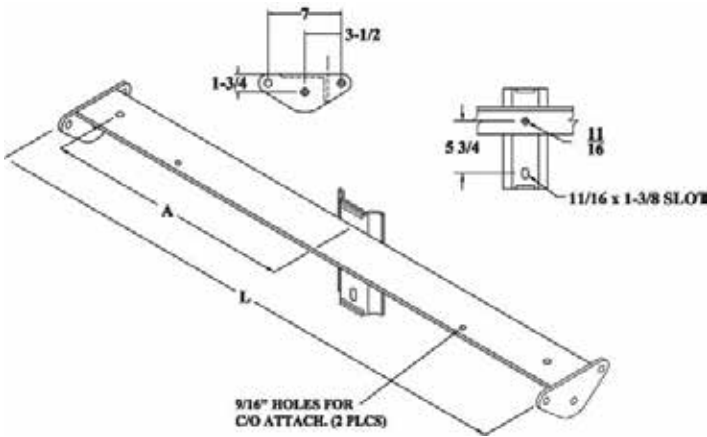
Notes:

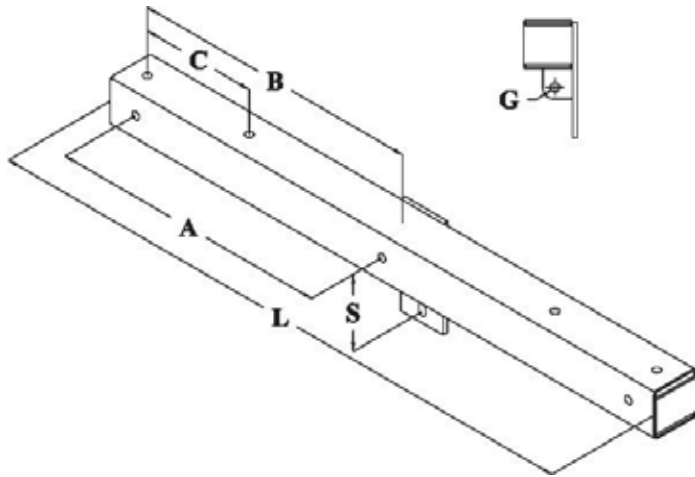
- 1) All holes are 11/16" diameter unless otherwise noted
- 2) Strength ratings based on balanced load applications

Steel Crossarm (2" x 4" Rectangular Tubing)							
Catalog Number	L	A	B	G	S	Ult Strength Rating Per Phase (lbs)	Weight Ea (lbs)
DEA86H40BE6	42	20	18	13/16	8	10000	37
DEA86H46BE6D	48	23	21	13/16	8	9500	43
DEA86H58.5BE6	60	29	27.25	13/16	8	9000	50
DEA86H58.5BE6D	60	29	27.25	13/16	8	9000	52

Notes:

- 1) All holes are 13/16" diameter unless otherwise noted
- 2) Suffix "D" indicates double deadend hardware (eyelets on both sides of arm)
- 3) Strength ratings based on balanced load applications





Steel Arms

Steel crossarms are produced from structural steel angle or tubing for high strength deadend and tangent applications.

Features

- Multiple bolt holes for a variety of conductor attachment points permit assembly of jumper pins and arrester/equipment mounting brackets
- Provided with a center mounting plate for attachment to pole

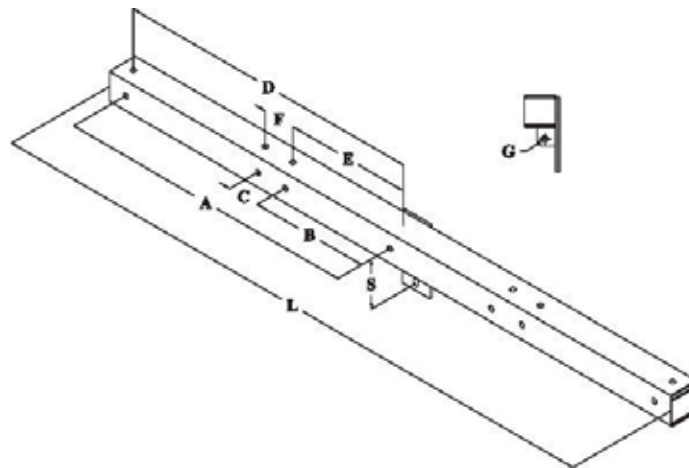
Material

Steel hot dip galvanized

Steel Crossarm (5" x 5" Square Tubing)							
Catalog Number	L	A	B	C	S	Ult Strength Rating Per Phase (lbs)	Weight Ea (lbs)
SF-TA-68-64	64	29	20	12	8	8000	80

Notes:

- 1) All holes are 13/16" diameter unless otherwise noted
- 2) Strength ratings based on balanced load applications



Steel Crossarm (5" x 5" Square Tubing)										
Catalog Number	L	A	B	C	D	E	F	G	S	Weight Ea (lbs)
SF-TA-102-FPL	102	48	19	5	49	20	5	15/16	8	118

Notes:

- 1) All holes are 13/16" diameter unless otherwise noted
- 2) Strength ratings based on balanced load applications

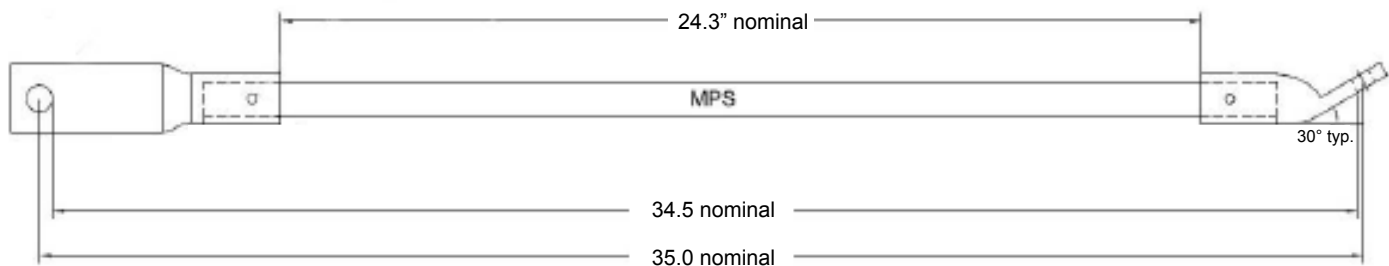
Hole Spacings	19	24	48	Load / Connection
6 wire (3/Phase)	x	x	x	2500 lbs.
4 wire (2/Phase)	x		x	3500 lbs.
4 wire (2/Phase)		x	x	3000 lbs.
2 wire (1/Phase)			x	5000 lbs.

60" / 18" Crossarm Brace

MacLean Power Systems' Fiberglass Underarm Crossarm Brace is designed to provide durable, long lasting, and economical support to crossarms. The MPS Fiberglass Crossarm Brace is a better alternative to traditional wooden crossarm braces due to its durability and longevity.

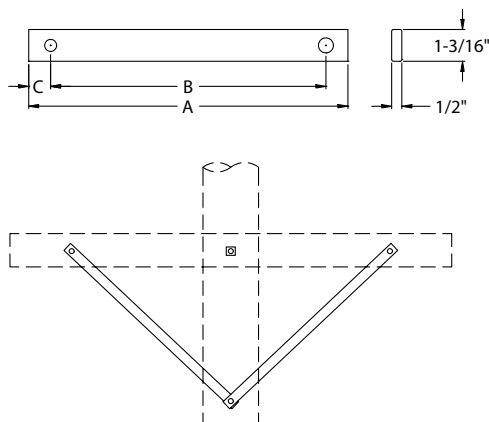
Features

- Crimped Aluminum Alloy End Fittings
- High Strength 1500 lbs. capacity
- RUS Listed



Catalog Number	Span(in.)	Drop(in.)	Crossarm Fitting Hole Diameter (in.)	Pole Fitting Hole Diameter	Weight(lbs)
CRBR-35	60	18	9/16"	11/16"	1.875

Crossarm Braces



Crossarm Braces

Material

Rod: Fiberglass gray ultraviolet (UV) protective coating

Catalog Number	Dimensions (In)			Weight (Lbs)
	A	B	C	
CRB29	29	26	1.5	1.2

Notes:

1) Lengths shown are considered standard; for other lengths, consult factory

Standard Apitong Brace

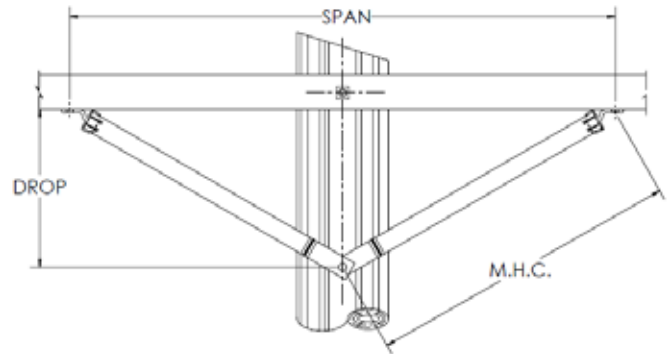
MPS wood crossarm braces are design engineered to support wood crossarms to provide durability, strength, and extended service life. MPS wood crossarm braces have better insulation properties than conductive metal braces.

Features

- Apitong wood cross section 1 3/4" square
- Mounting hole diameters are 9/16" for mounting to crossarm and 11/16" for mounting to pole
- Designed for heavy duty application
- Lightweight alternative to steel crossarm braces
- Corrosion resistant aluminum end fittings
- Tongue and groove configuration permanently pins end fitting to wood
- Preservative treated, extra strong apitong wood resists insect, fungus, and environmental attack
- Sold in pairs

Material

Aluminum Alloy end fittings
Preservative treated Apitong wood



CATALOG NO.	SPAN (in)	DROP (in)	M.H.C. (in)	WEIGHT/PAIR (lbs)
JA4712R	42	12	24.19	3.6
JA4716R	42	16	26.40	4
JA4714R	48	14	27.78	4.2
JA4788R	48	18	30.00	5.6
JA4748R	48	24	33.94	5.8
JA4760R	60	18	34.99	6.6
JA4761R	60	26	39.70	7.5
JA4730R	60	30	42.43	8
JA4766R	66	20	38.59	7.2
JA4772R	72	22	42.19	7.9
JA1370RS.2	72	36	50.91	8

SHIPPING VIEW:
10/PACK

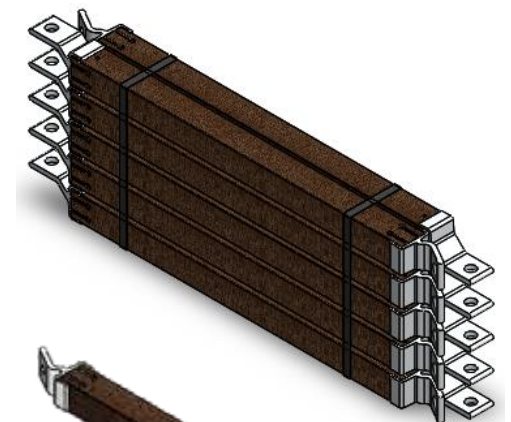


MODEL JA
REVERSIBLE



CATALOG NO.	SPAN (in)	DROP (in)	M.H.C. (in)	WEIGHT/PAIR (lbs)
MA4212	42	12	24.19	3.8
MA4216	42	16	26.40	4.2
MA4814	48	14	27.78	4.6
MA4818	48	18	30.00	4.9
MA4824	48	24	33.94	5.5
MA6018	60	18	34.99	5.6
MA6026	60	26	39.70	6.8
MA6030	60	30	42.43	6.7
MA6620	66	20	38.59	8
MA7222	72	22	42.19	4.1
MA7236	72	36	50.91	4.4

SHIPPING VIEW:
10/PACK



MODEL MA



Slimline Apitong Brace

MPS wood crossarm braces are design engineered to support wood crossarms to provide durability, strength, and extended service life. MPS wood crossarm braces have better insulation properties than conductive metal braces.

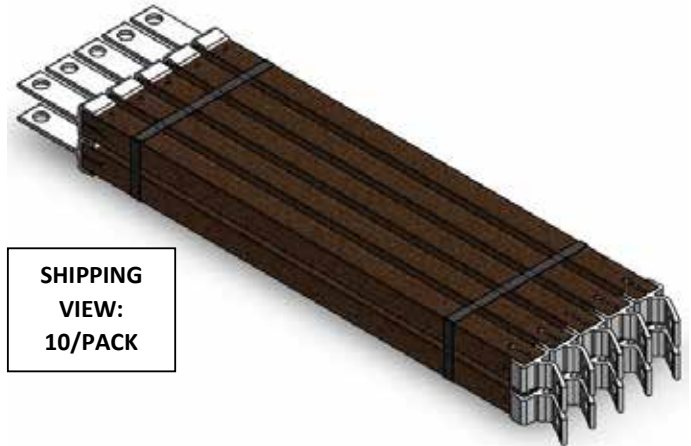
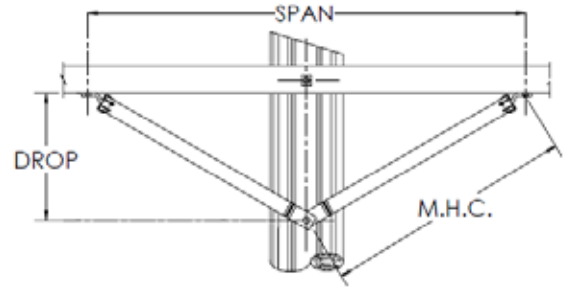
Features

- Apitong wood cross section 1 1/4" square
- Mounting hole diameters are 9/16" for mounting to crossarm and 11/16" for mounting to pole
- Lightweight alternative to steel crossarm braces
- Corrosion resistant aluminum end fittings
- Tongue and groove configuration permanently pins end fitting to wood
- Preservative treated, extra strong apitong wood resists insect, fungus, and environmental attack
- Sold in pairs

Material

Aluminum Alloy end fittings
Preservative treated Apitong wood

CATALOG NO.	SPAN (in)	DROP (in)	M.H.C. (in)	WEIGHT/PAIR (lbs)
MAF-4814	48	14	27.78	2.3
MAF-4818	48	18	30.00	2.5
MAF-4824	48	24	33.94	2.8
MAF-6018	60	18	34.99	2.9
MAF-6030	60	30	42.43	3.4
MAF-7222	72	22	42.19	3.4



SHIPPING VIEW:
10/PACK



MODEL MAF

Alley Arm Brace

MPS wood crossarm braces are design engineered to support wood crossarms to provide durability, strength, and extended service life. MPS wood crossarm braces have better insulation properties than conductive metal braces.

Features

- Apitong wood cross section 2 11/16" square
- Mounting hole diameters are 9/16" for mounting to crossarm and 11/16" for mounting to pole
- Lineman's step provided as standard, add "-L/S" to catalog number when step is not needed
- Corrosion resistant aluminum end fittings
- Tongue and groove configuration permanently pins end fitting to wood
- Preservative treated, extra strong apitong wood resists insect, fungus, and environmental attack
- Sold in pairs

Material

Aluminum Alloy end fittings

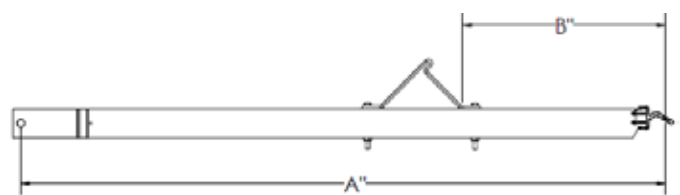
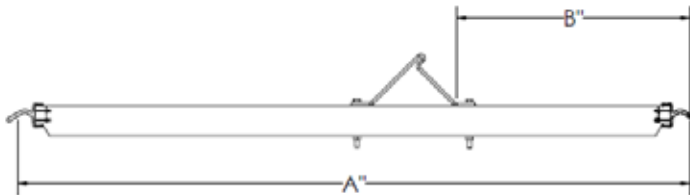
Preservative treated Apitong wood



**MODEL MAAB
TRADITIONAL**



**MODEL MRAAB
REVERSIBLE**



**SHIPPING
VIEWS**



CATALOG NO.		A (in)	B (in)	WEIGHT (lbs)	SHIPPING CONFIG.
MRAAB-60	MAAB-60	60	20 3/4	12.06	4
MRAAB-76	MAAB-76	76	20 3/4	14.95	2
MRAAB-84	MAAB-84	84	20 3/4	16.39	2
MRAAB-60-L/S	MAAB-60-L/S	60	20 3/4	10.47	4
MRAAB-76-L/S	MAAB-76-L/S	76	20 3/4	13.34	2
MRAAB-84-L/S	MAAB-84-L/S	84	20 3/4	14.78	2

Other Quality MacLean Products

Aluminum Mounts

Anchoring Systems

Conductor Hardware

Connectors

Cutouts

Enclosures and Pads

Fiberglass Products

Formed Wire

Grounding and Tools

Insulator Systems

Pole Line Hardware

Surge Arresters

Telecommunications Hardware

MacLean Power Systems
481 Munn Road, Suite 300
Fort Mill, SC 29715 USA
fax 803.396.8601
macleanpower.com

Customer Service 1.855.MPS.SHIP
info@macleanpower.com